

SPAS AND SAUNAS



- 445 • Residential spas in wood cabinet
- 451 • In-ground residential spas
- 453 • In-ground overflow commercial spas
- 460 • Complements for spas
- 462 • Accessories
- 466 • Accessories for minispas
- 467 • Electrical components spa / minispa
- 469 • Air blowers
- 470 • Sauna
- 471 • Sauna accessories

We have a wide range of finished units for all kinds of applications; whether to be added to a private home or public facilities such as gyms, hotels or spas.

RESIDENTIAL SPAS IN WOOD CABINET

Spas for PRIVATE USE equipped with massage pumps, a water heater and a control panel. Enables filtration through a cartridge filter and automatic water heating.

With a synthetic or natural wood cabinet, or a metal structure.

IN-GROUND RESIDENTIAL SPAS

Spas for PRIVATE USE, designed to be embedded. Equipped with all the necessary accessories for hydro massage and an adjustable bracket for easy installation. Each model includes a compact filtration unit that adapts to the needs and specifications of the product.

COMMERCIAL SPAS WITH OVERFLOW CHANNEL AND COMPACT UNITS

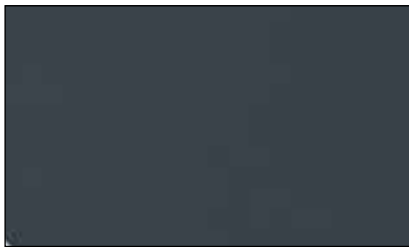
These Spas are designed for COMMERCIAL USE and are made to be embedded. Equipped with overflow channel and also all the necessary accessories for hydro massage.

Each Spa includes a compact filtration unit that adapts to the specifications of each model.

SPA&FUN

AstralPool presents Spa&Fun in this section – a new kind of residential spa that allows you to enjoy every air bubble. It is a very special zone as well as a source of both health and well-being. We have filled the Spa with sensations: the soft delicacy of the warm water, the magic of bubbles, along with the quality of efficient-jet massage, making our Spas areas of fun for the entire family.



COLOUR CHART FOR SPAS**N° 47 GREEN MARBLE****N° 52 NAVY MARBLE****N° 46 BLUE MARBLE****N° 64 PEARL SHADOW****N° 66 GRAPHIT****N° 44 WHITE****N° 65 PEARL****N° 68 DESERT HORIZON****N° 56 GRANITE BLUE****N° 58 GRANITE SAW****N° 67 ONIX****IMPORTANT:**

When placing orders, kindly indicate after the code number the numbers for the shell colour.

Ex: 38848S1200 CL XX

RANGES

Residential spas with wood cabinet coding

The coding structure for the wood cabinet spas is made up of 10 digits. The first 5 digits refer to the Spa model and the following ones indicate the range, coating and the colour of the accessories as it is also necessary to specify the colour.

This coding system will be structured in the following way:

X X X X X	X	X	X	XX	CL	XX
Spa model	Range	Cabinet versions	Accessories colour	Complements	Variation	Colour

Position from 1 to 5: 5 numbers of standard codification		
Position 6: Product range definition		
	S	Standard
	L	Luxe
Position 7: Cabinet version		
	0	Cedar
	1	Grey
	4	Metallic structure
Position 8: Accessories colour definition		
	2	Grey
	3	Chrome-plated
Position from 9 to 10: Options configuration definition		
	00	Aroma + Chrome + Ozone
	03	Aroma + Chrome + Ozone + CD
	05	Aroma + Chrome + Ozone + Isolation
	07	Aroma + Chrome + Ozone + CD + Isolation

Coating types:

Cedar:



Coastal Grey



RESIDENTIAL SPAS IN WOOD CABINET



Pacific 30 - Code 38848



DESERT HORIZON COLOUR (68)

TECHNICAL FEATURES	Std
Size	216 x 198 x 90 cm (± 1 cm)
Jets + nozzles	21 + 16
Drainage	1
Positions (Seats / Loungers)	6 (5 / 1)
Water capacity	980 l
Empty/Full spa weight	287 Kg / 1,267 Kg
Config. required power	3,415 W / 5,915 W
Massage pump (double velocity)	2 CV (2 kW)
Standard heater power	3 kW
Blower	900 W
Voltage	230 V
Headrests	3
Cover	Yes
Ozonator	Yes
LED light	Yes
Jet nozzle Colour	Grey
Coating	Synthetic Grey
Waterfall	1
Chromotherapy + Aromatherapy	Yes
Metallic structure	Yes
CONFIGURATION OPTIONS	
Cedar coating	Optional
Spa cabinet thermal insulation	Optional
Stainless steel jets	Optional
Musictherapy	Optional

Description	Code
Grey Cedar Cabinet	38848S1200
Without Cabinet	38848S4200
Cedar Cabinet	38848S0200

Pacific 50 - Code 41618

new



PEARL SHADOW COLOUR (64)

TECHNICAL FEATURES	Std
Size	216 x 198 x 90 cm (± 1cm)
Jets + nozzles	42 + 10
Drainage	1
Positions (Seats / Loungers)	6 (5 / 1)
Water capacity	980 l
Empty/Full spa weight	305 Kg / 1.285 Kg
Config. required power	5.155 W / 8.155 W
Blower	900 W
Filtration pump	240 W
Massage pump	2 x 2 CV (2 kW)
Electric heater	3 kW
Voltage	230 V
Headrests	3
Cover	Yes
Ozonator	Yes
LED light	Yes
Stainless steel jets	Yes
Aromatherapy	Yes
Cabinet	Synthetic Grey
Waterfall	2
Metallic structure	Yes
CONFIGURATION OPTIONS	
Cedar coating	Optional
Spa cabinet thermal insulation	Optional
Musictherapy	Optional

Description	Code
Grey Cedar Cabinet	41618L1300
Without Cabinet	41618L4300
Cedar Cabinet	41618L0300

RESIDENTIAL SPAS IN WOOD CABINET



Swimspa Mediterranea - Code 41902

new



WHITE COLOUR (44)

Description	Code
Std without Cabinet + Chromotherapy	41902S4200
Std with Cabinet + Chromotherapy	41902S1200
Luxe without Cabinet + Chromotherapy	41902L4300
Luxe with Cabinet + Chromotherapy	41902L1300
Luxe without Cabinet for kit with sand filter + Chromotherapy	41903L4300

TECHNICAL FEATURES	Std	Luxe
Size	500 x 230 x 138 cm (± 2 cm)	
Positions (Seats / Loungers)	3 (2 / 1)	
Water capacity	8500 l	
Empty/Full spa weight	1,177 Kg / 9,677 Kg	
Config. required power	230 V (5300 W / 8300 W)	230 V. (6200 W / 9200 W)
Jets	21	25
Jets stream swim	5 x Turbo jets	
Waterfall	No	1
Fountain jets	Yes	
Ozonator	Yes	
LED light	1 x white LED	
Filtration pump	Si (0.28 kW)	
Massage pump	2 x 3 CV (2.5 kW)	
Blower	No	Si (1 x 0.9 kW)
Headrests	1	
Standard heater power	3 kW	
Internal structure	Steel	
Cartridge filters	1 x 100 ft ²	2 x 100 ft ²
Hard Cover	Optional	
Cabinet grey synthetic	Optional	
Ext. kit Silex filter Ø 500	No	Optional
Auxiliary panel	No	Yes
Stainless steel jets	Optional	Yes
Chromotherapy	Optional	
Stainless steel bars	No	Optional

This spa is available only in 44 and 46 colours.

* The spa cover is sold separately. Please, consult "Complements for spas" section.



RESIDENTIAL SPAS IN WOOD CABINET



Antartic - Code 38849



BLUE GRANITE COLOUR (56)

TECHNICAL FEATURES	Std
Size	210 x 196 x 92 cm (± 1cm)
Jets + nozzles	30
Drainage	1
Positions (Seats / Loungers)	6 (5 / 1)
Water capacity	1,110 l
Empty/Full spa weight	306 Kg / 1,416 Kg
Config. required power	3,365 W / 5,815 W
Massage pump	1 x 1.5 CV (1.4 kW)
Massage pump (double velocity)	1 x 1.5 CV (1.4 kW)
Standard heater power	3 kW
Voltage	230 V
Headrests	2
Hard Cover	Yes
Ozonator	Yes
LED light	Yes
Jet nozzle Colour	Grey
Coating	Synthetic Grey
Waterfall	1
Metallic structure	Yes
CONFIGURATION OPTIONS	
Cedar coating	Optional
Spa cabinet thermal insulation	Optional
Stainless steel jets	Optional

Description	Code
Grey Cedar Cabinet	38849S1200
Without Cabinet	38849S4200
Cedar Cabinet	38849S0200

Atlantida - Code 38850 (Std) and 16005 (Luxe)



GRAPHIT COLOUR (66)

TECHNICAL FEATURES	Std	Luxe
Size	216 x 199 x 84 cm (± 1 cm)	
Jets + nozzles	21	17 + 18
Drainage	1	
Positions (Seats / Loungers)	4 (2 / 2)	
Water capacity	800 l	
Empty/Full spa weight	350 Kg / 1,150 Kg	
Config. required power	3,415 W / 5,015 W	3,255 W / 5,155 W
Massage pump (double velocity)	2 CV (2 kW)	No
Massage pump	No	2 CV (2 kW)
Filtration pump	No	240 W
Blower	No	900 W
Standard heater power	3 kW	
Voltage	230 V	
Headrests	2	
Hard Cover	Yes	
Ozonator	Yes	
LED light	Yes	
Jet nozzle Colour	Grey	S.S.
Coating	Synthetic Grey	
Metallic structure	Yes	
Aromatherapy	No	Yes
CONFIGURATION OPTIONS		
Musictherapy	Optional	
Cedar coating	Optional	
Spa cabinet thermal insulation	Optional	
Stainless steel jets	Optional	Yes

Description	Code
Std Grey Cedar Cabinet	38850S1200
Std Without Cabinet	38850S4200
Std Cedar Cabinet	38850S0200
Luxe Grey Cedar Cabinet	16005S1300
Luxe Without Cabinet	16005S4300
Luxe Cedar Cabinet	16005S0300

new

We reserve the right to change, wholly or partially, the features of our products and the contents of this document, without prior notice.

RESIDENTIAL SPAS IN WOOD CABINET



Ocean - Code 38851 (Std) and 42378 (Luxe)



NAVY MARBLE COLOUR (52)

Description	Code
Std Grey Cedar Cabinet	38851S1200
Std Without Cabinet	38851S4200
Std Cedar Cabinet	38851S0200
Luxe Grey Cedar Cabinet	42378S1300
Luxe Without Cabinet	42378S4300
Luxe Cedar Cabinet	42378S0300

TECHNICAL FEATURES	Std	Luxe
Size	197 x 171 x 84 cm (± 1cm)	
Jets	22	22 + 10
Drainage	1	
Positions (Seats / Loungers)	3 (2 / 1)	
Water capacity	605 l	
Empty/Full spa weight	227 Kg / 832 Kg	
Config. required power	3,415 W / 5,015 W	3,415 W / 5,915 W
Massage pump (double velocity)	2 CV (2 kW)	
Blower	No	Yes
Standard heater power	3 kW	
Voltage	230 V	
Headrests	2	
Hard Cover	Yes	
Ozonator	Yes	
LED light	Yes	
Jet nozzle Colour	Grey	S.S.
Coating	Synthetic Grey	
Waterfall	1	
Metallic structure	Yes	
CONFIGURATION OPTIONS		
Cedar coating	Optional	
Spa cabinet thermal insulation	Optional	
Stainless steel jets	Optional	Yes

new

Evolution - Code 32474



PEARL SHADOW COLOUR (64)

Description	Code
Std Grey Cedar Cabinet	32474S1200
Std Without Cabinet	32474S4200
Std Cedar Cabinet	32474S0200
Luxe Grey Cedar Cabinet	32474L1300
Luxe Without Cabinet	32474L4300
Luxe Cedar Cabinet	32474L0300

TECHNICAL FEATURES	Std	Luxe
Size	233 x 233 x 91 cm (± 1cm)	
Jets + nozzles	38 + 16	48 + 24
Drainage	1	
Positions (Seats / Loungers)	5 (3 / 2)	
Water capacity	1610 l	
Empty/Full spa weight	384 Kg / 1,994 Kg	
Config. required power	(5,455 W / 8,455 W)	(7,458 W / 10,458 W) (+120 W CD)
Massage pump	2 x 2 CV (2 kW)	3 x 2 CV (2 kW)
Bomba Filtracion	240 W	
Blower	1,200 W	
Standard heater power	3 kW	
Voltage	230 V	
Headrests	3	
Hard Cover	Yes	
Ozonator	Yes	
Aromatherapy + Chromotherapy	Yes	
Coating	Synthetic Grey	
Jet nozzle Colour	Grey	S.S.
Metallic structure	Yes	
CONFIGURATION OPTIONS		
Cedar coating	Optional	
Spa cabinet thermal insulation	Optional	
Musictherapy	No	Optional

RESIDENTIAL SPAS IN WOOD CABINET

Iris - Code 07816



BLUE GRANITE COLOUR (56)

TECHNICAL FEATURES	Std
Size	199 x 148 x 84 (± 1 cm)
Jets + nozzles	13 + 12
Drainage	1
Positions (Seats / Loungers)	3 (2 / 1)
Water capacity	685 Kg
Empty/Full spa weight	230 Kg - 915 Kg
Config. required power	3,255 W / 5,455 W
Massage pump	1,5 kW
Filtration pump	240 W
Blower	900 W
Standard heater power	3 kW
Voltage	230 V
Headrests	1
Hard Cover	Yes
Ozonator	Yes
Jet nozzle Colour	Grey
Coating	Synthetic Grey
Metallic structure	Yes
CONFIGURATION OPTIONS	
Cedar coating	Optional
Stainless steel jets	Optional

Description	Code
Grey Cedar Cabinet	07816S1200
Without Cabinet	07816S4200

Geminis - Code 16006



COLOR NAVY MARMOL (52)

TECHNICAL FEATURES	Std
Size	220 x 103 x 76 (± 1 cm)
Jets + nozzles	6 + 11
Drainage	1
Positions (Seats / Loungers)	2 (1 / 1)
Water capacity	430 l
Empty/Full spa weight	225 Kg - 655 Kg
Config. required power	3,255 W / 5,455 W
Massage pump	1.25 CV (1.3 kW)
Bomba Filtración	240 W
Blower	900 W
Standard heater power	3 kW
Voltage	230 V
Headrests	1
Hard Cover	Yes
Ozonator	Yes
Jet nozzle Colour	Grey
Coating	Synthetic Grey
Metallic structure	Yes
CONFIGURATION OPTIONS	
Cedar coating	Optional
Stainless steel jets	Optional

Description	Code
Grey Cedar Cabinet	16006S1200
Without Cabinet	16006S4200

RESIDENTIAL SPAS IN WOOD CABINET

new Corner - Code 43930



PEARL COLOUR (65)

Description	Code
Grey Cedar Cabinet + Aromath. + Cromoth. + Ozone + S.S. Jets	43930S1300
Without Cabinet + Aromath. + Cromoth. + Ozone + S.S. Jets	43930S4300

TECHNICAL FEATURES	Std
Size	200 X 166 X 71 (± 1 cm)
Jets + nozzles	22 + 7
Drainage	1
Positions (Seats / Loungers)	2 (1/1)
Water capacity	360 l
Empty/Full spa weight	197 / 557 kg
Config. required power	3,250 W / 5,650 W
Massage pump	2 CV (2 kW)
Filtration pump	240 W
Blower	400 W
Electric heater	3 kW
Voltage	230 V
Headrests	2
Hard Cover	Yes
Ozonator	Yes
LED light	Yes
Aromatherapy	Yes
Jet nozzle Colour	S.S.
Coating	Synthetic Grey
Metallic structure	Yes
CONFIGURATION OPTIONS	
Spa cabinet thermal insulation	Optional



IN-GROUND RESIDENTIAL SPAS

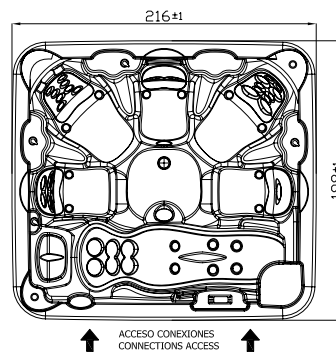
Thalassa - Code 40768



WHITE COLOUR (44)

TECHNICAL FEATURES	Std
Size	216 x 198 x 90 cm (± 2 cm)
Jets + nozzles	21 + 16
Drainage	1
Electronic control panel	Yes
Positions (Seats / Loungers)	6 (5 / 1)
Water capacity	980 l
Empty/Full spa weight	198 Kg / 1,178 Kg
Headrests	3
Hard Cover	Optional
LED light	Yes
Jet nozzle Colour	Grey
Aromatherapy	Yes
Waterfall	1
Metallic structure	Yes

This spa must be acquired with the Digital Compact 41993.



Description	Code
Light + Digital Kit	40768SE004
Light + Digital Kit + Cover	40768SE008

* La cubierta del spa se vende aparte. Consultar apartado "Complements for spas".

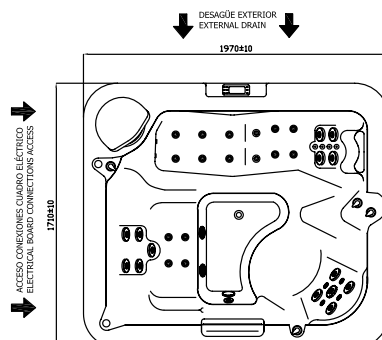
Baltic - Code 40767



WHITE COLOUR (44)

TECHNICAL FEATURES	Std
Size	197 x 171 x 84 cm (± 2 cm)
Jets + nozzles	22 + 10
Drainage	1
Panel control electrónico	Yes
Positions (Seats / Loungers)	3 (2 / 1)
Water capacity	600 l
Empty/Full spa weight	177 Kg / 777 Kg
Headrests	2
Hard Cover	Optional
LED light	Yes
Jet nozzle Colour	Grey
Aromatherapy	Yes
Waterfall	1
Metallic structure	Yes

This spa must be acquired with the Digital Compact 41993.



Description	Code
Light + Digital Kit	40767SE004
Light + Digital Kit + Cover	40767SE008

* La cubierta del spa se vende aparte. Consultar apartado "Complements for spas".

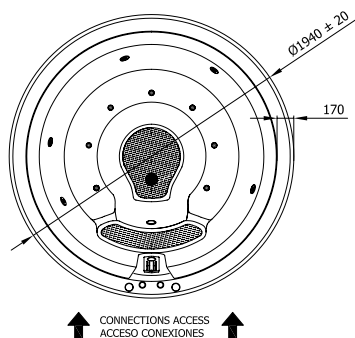
IN GROUND RESIDENTIAL SPAS



new Ronda - Code 45710



WHITE COLOUR (44)



TECHNICAL FEATURES	Std
Size	Ø194 x 89/92 (± 2 cm)
Jets + nozzles	4 + 7
Sumidero	1
Pulsadores Neumáticos	2
Tomas de aire regulables	2
Positions (Seats / Loungers)	4 (4 / 0)
Water capacity	513 l
Empty/Full spa weight	98 kg - 611 kg
Light	Yes
Metallic structure	Yes

Description	Code
Standard + Foco	45710SE001
Standard + Light + Digital Kit	45710SE004
Standard + Light + Cover	45710SE006
Standard + Light + Kit Dig + Cub.	45710SE008

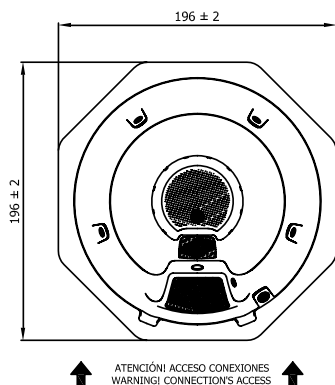
- * The Digital Kit option must be supplied with the Cronos digital compact unit.
- * The spa cover is sold separately. Please, consult "Complements for spas" section.

Fully fitted with skimmer, drain, hoses, nozzles, blowers, control buttons and Venturi. With adjustable bracket for easy installation.

Inca - Code 04005



BLUE MARBLE COLOUR (46)



TECHNICAL FEATURES	Std
Size	196 x 196 x 102/105 (± 2 cm)
Jets + nozzles	4 + 10
Sumidero	1
Pulsadores Neumáticos	2
Positions (Seats / Loungers)	6 (6 / 0)
Water capacity	815 l
Empty/Full spa weight	160 Kg / 975 Kg
Light	Yes
Metallic structure	Yes

Description	Code
Standard + Foco	04005SE001
Standard + Light + Digital Kit	04005SE004*
Standard + Light + Cover	04005SE006
Standard + Light + Kit Dig + Cub.	04005SE008*

- * The Digital Kit option must be supplied with the Cronos digital compact unit.
- * La cubierta del spa se vende aparte. Consultar apartado "Complements for spas".

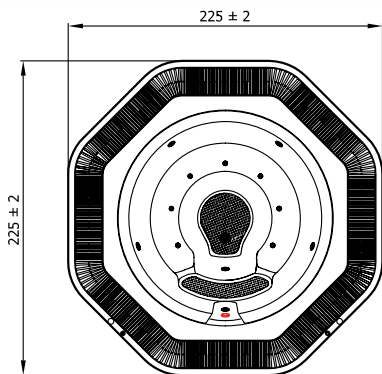
Fully fitted with skimmer, drain, hoses, nozzles, blowers, control buttons and Venturi. With adjustable bracket for easy installation.

IN-GROUND OVERFLOW COMMERCIAL SPAS

Casiopea - Code 04007



BLUE MARBLE COLOUR (46)



↑ ATENCIÓN! ACCESO CONEXIONES
WARNING! CONNECTION'S ACCESS ↑

TECHNICAL FEATURES	
Size	225 x 225 x 94/97 (± 2 cm)
Jets + nozzles	4 + 7
Water capacity	782 l
Empty/Full spa weight	143 Kg / 925 Kg
Positions (Seats / Loungers)	4 (4 / 0)
Packaging volume	6.38 m ³
Main drains	2
Light	Yes
Piezoelectric switches	2
Metallic structure	Yes

Description	Code
Standard + Light	04007SE001
Standard + Light + Cover	04007SE006

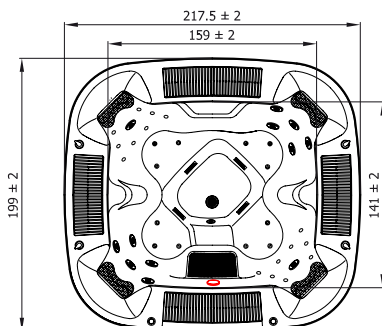
* The spa cover and the balance tank are sold separately. Please, consult "Complements for spas" section.

Supplied with grating, drain, nozzles, blower & filter nozzles. Balance tank not included

Formentera - Code 16413



BLUE GRANITE COLOUR (56)



↑ ATENCIÓN! ACCESO CONEXIONES
WARNING! CONNECTION'S ACCESS ↑

TECHNICAL FEATURES	
Size	217,5 x 199 x 120/123 (± 2 cm)
Jets + nozzles	12 + 28
Water capacity	959 l
Empty/Full spa weight	250 Kg / 1,209 Kg
Positions (Seats / Loungers)	4 (4 / 0)
Packaging volume	7.40 m ³
Main drains	5
Light	Yes
Piezoelectric switches	2
Metallic structure	Yes

Description	Code
Standard + Light	16413SE001
Standard + Light + Cover	16413SE006

* The spa cover and the balance tank are sold separately. Please, consult "Complements for spas" section.

Supplied with grating, drain, nozzles, blower & filter nozzles. Balance tank not included

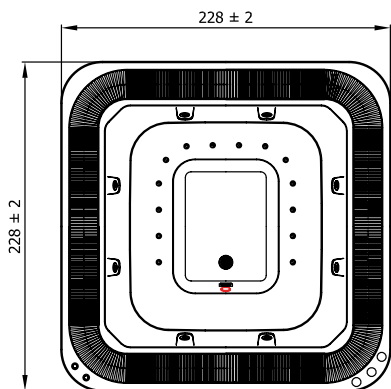
IN-GROUND OVERFLOW COMMERCIAL SPAS



Venecia - Code 05134



NAVY MARBLE COLOUR (52)



↑ ATENCIÓN! ACCESO CONEXIONES
WARNING! CONNECTION'S ACCESS ↑

TECHNICAL FEATURES	
Size	228 x 228 x 100/103 (± 2 cm)
Jets + nozzles	6 + 14
Water capacity	1200 l
Empty/Full spa weight	147 Kg / 1,347 Kg
Positions (Seats / Loungers)	7 (7 / 0)
Packaging volume	7.23 m ³
Main drains	2
Light	Yes
Piezoelectric switches	2
Metallic structure	Yes

Description	Code
Standard + Light	05134SE001
Standard + Light + Cover	05134SE006

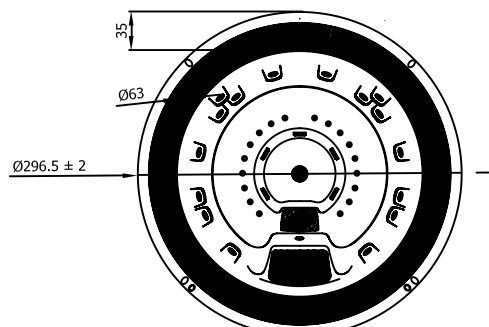
* The spa cover and the balance tank are sold separately. Please, consult "Complements for spas" section.

Supplied with grating, drain, nozzles, blower & filter nozzles. Balance tank not included

Coliseum - Code 20141



NAVY MARBLE COLOUR (52)



↑ ATENCIÓN! ACCESO CONEXIONES
WARNING! CONNECTION'S ACCESS ↑

TECHNICAL FEATURES	
Size	296.5 x 296.5 x 109/112 (± 2 cm)
Jets + nozzles	16 + 18
Water capacity	1944 l
Empty/Full spa weight	224 Kg - 2,168 Kg
Positions (Seats / Loungers)	10 (10 / 0)
Packaging volume	18.24 m ³
Main drains	5
Light	Yes
Piezoelectric switches	2
Metallic structure	Yes

Description	Code
Standard + Light	20141SE001
Standard + Light + Cover	20141SE006

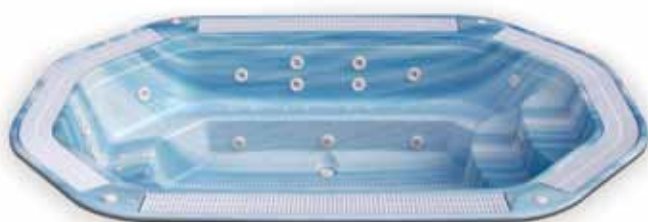
* The spa cover and the balance tank are sold separately. Please, consult "Complements for spas" section.

Supplied with grating, drain, nozzles, blower & filter nozzles. Balance tank not included

IN-GROUND OVERFLOW COMMERCIAL SPAS

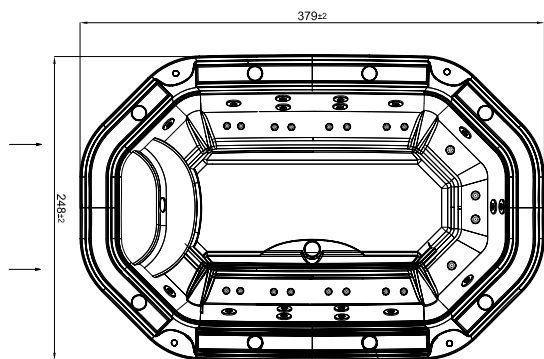


Olympia - Code 26440



MARBLE BLUE COLOUR (46)

This spa is only available in colours 44 and 46.



TECHNICAL FEATURES	Std
Size	379 x 248 x 95/98 (± 2 cm)
Jets	16 + 20
Positions (Seats / Loungers)	12 (12 / 0)
Water capacity	2490 l
Empty/Full spa weight	373 Kg / 2.863 Kg
Packaging volume	18.12 m ³
Main drains	7
Light	Yes
Piezoelectric switches	2
Metallic structure	Yes

Description	Code
Standard + Light	26440SE001
Standard + Light + Cover	26440SE006

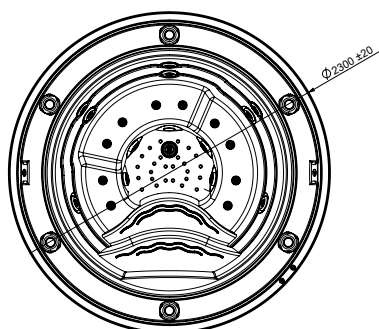
* The spa cover and the balance tank are sold separately. Please, consult "Complements for spas" section.

Supplied with grating, drain, nozzles, blower & filter nozzles. Balance tank not included

new **Odisea 20 - Code 45709**



WHITE COLOUR (44)



↑ CONNECTIONS ACCESS
↑ ACCESO CONEXIONES

TECHNICAL FEATURES	
Size	Ø230 x 107 / 110 (±2cm)
Jets + nozzles	8 + 10
Water capacity	1.120 l
Empty/Full spa weight	156 Kg / 1.276 Kg
Positions (Seats / Loungers)	5 (5 / 0)
Packaging volume	8,06 m ³
Main drains	3
Projector	Yes
Piezoelectric switches	2
Metallic structure	Yes

Description	Code
Standard + Light	45709SP001
Standard + Light + Cover	45709SP006

* The spa cover and the balance tank are sold separately. Please, consult "Complements for spas" section.

Supplied with grating, drain, nozzles, blower & filter nozzles. Balance tank not included

IN-GROUND OVERFLOW COMMERCIAL SPAS



new Wellmax - Code 43638



WHITE COLOUR (44)

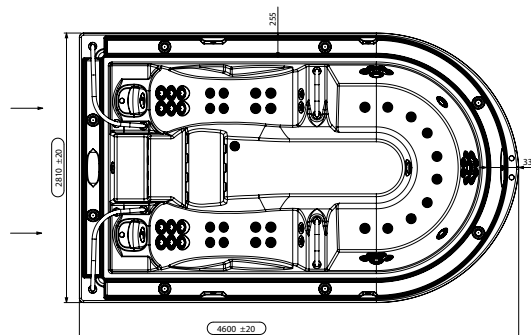
TECHNICAL FEATURES	Std
Size	460 x 281 x 114/117 (±2 cm)
Jets + nozzles	53 + 10
Water capacity	2,940 l
Empty/Full spa weight	553 kg / 3,493 kg
Positions (Seats / Loungers)	7 (5 / 2)
Packaging volume	25,9 m ³
Main drains	7
Light	High intensity Led colours
Piezoelectric switches	4
Jet nozzle Colours	S.S.
Headrests	2
S.S. handrails	4
Metallic structure	Yes

* Available colours: WHITE/MARBLE BLUE.

Description	Code
Spa Wellmax S.S. Jet + High intensity Led colours + S.S. handrails	43638SP315

Supplied with grating, drain, nozzles, blower & filter nozzles. Balance tank not included

* The spa cover and the balance tank are sold separately. Please, consult "Complements for spas" section.



IN-GROUND OVERFLOW COMMERCIAL SPAS

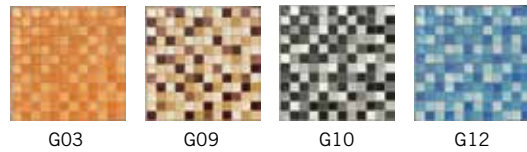
new **Mirage 40 - Code 44630**



G03 COLOUR

TECHNICAL FEATURES	Std
Size	Ø 250 x 101/104 (±2 cm)
Jets + nozzles	26+12
Water capacity	1.410 l
Empty/Full spa weight	353 / 1.763 kg
Positions (Seats / Loungers)	6 (6/0)
Packaging volume	14 m ³
Main drains	5
Light	High intensity Led colours
Piezoelectric switches	2
Jet nozzle Colours	White
Metallic structure	Yes

Available Colours:



G03

G09

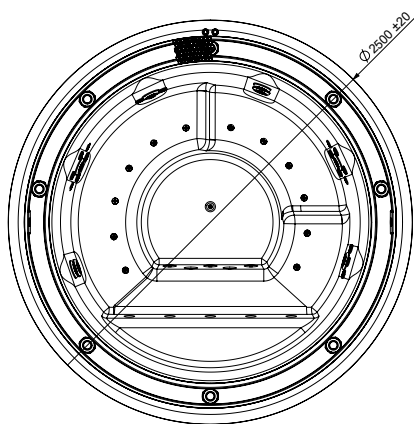
G10

G12

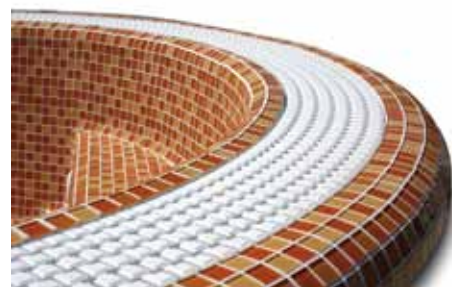
Description	Code
Spa Mirage 40 + Chromotherapy	44630SP015
Spa Mirage 40 + Chromotherapy + Cover	44630SP016

Supplied with grating, drain, nozzles, blower & filter nozzles. Balance tank not included

* The spa cover and the balance tank are sold separately. Please, consult "Complements for spas" section.



↑ CONNECTIONS ACCESS
ACCESO CONEXIONES ↑



RESIDENTIAL COMPACT UNIT

Compact Cronos Kit for Inca and Ronda



Compact kit filtration is supplied with Cantabric (Ø 500 mm) filter, filtration pump, massage pump, air blower, electric heater and monophase control electric box including main switch and circuit controls for operating heating, filtration and massage, pneumatic control and programming clock.

Code	Ozone generator	Digital operating panel	Compact unit weight	Packaging volume	Maximum Spa Volume	Massage pump
25414CE000			33 kg	1.53 m ³	1550 l	1.50 kW
25414CE001	•					
25414CE002*		•				
25414CE003*	•	•				

Code	Filter (mm)	Filtration pump	Blower	Electric heater	Voltage	Total power requirements	Length x Width x Height
25414	500	0.27 kW 3,500 l/h	0.90 kW	3 kW	230 V	5.68 kW	900 x 680 x 940 mm

* The Digital Control option implies that the Spa must be delivered with a residential compact kit with the digital option.

Compact kit for Thalassa and Baltic



Code	Ozone generator	Digital operating panel	Compact unit weight	Packaging volume	Maximum Spa Volume	Massage pump
41993CE000		•	60 kg	2.05 m ³	1000 l	2 kW
41993CE001	•	•				

Code	Filter (mm)	Filtration pump	Blower	Electric heater	Voltage	Total power requirements	Length x Width x Height
41993	500	0.6 kW 7000 l/h	0.90 kW	2 kW	230 V	3.53 kW*	115 x 75 x 105 mm

* Consumption in Low Amp.

Compact kit for Swimspa Mediterranea



Code	Ozone generator	Digital operating panel	Compact unit weight	Packaging volume	Maximum Spa Volume	Massage pump	Bomba de masaje
41849CE009	•	•	•	70 kg	2.05 m ³	8500 l	2 x 2.5 kW

Code	Filter (mm)	Filtration pump	Blower	Electric heater	Voltage	Total power requirements	Length x Width x Height
41849	500	0.6 kW 7000 l/h	0.90 kW	3 kW	230 V	6.51 kW*	114 x 100 x 112 mm

* Consumption in Low Amp.

COMPACTOS PARA SPAS
Compact filtration unit for commercial spas


16412



04015

Preassembled unit for filtration, heating and massage.

NOVELTY 2010: All kits include the electronic control box controlled by piezoelectric press buttons.

Code	Description	Ozone generator	Spa models	Compact unit weight (with packaging)	Filter weight (with packaging)	Packaging volume Compact kit	Packaging volume.
04015CE000	Kit compacto 50		Casiopea, Odisea 20, Venecia	109 kg		0.86 m ³	
04015CE001	Kit compacto 50 + Ozono	•					
05135CE000	Kit compacto 75		Casiopea, Odisea 20, Venecia	140 kg		2.08 m ³	
05135CE001	Kit compacto 75 + Ozono	•					
16412CE000	Kit compacto 75 2 M		Formentera, Coliseum, Olympia, Mirage 40	104 kg	53 kg	0.86 m ³	0.83 m ³
16412CE001*	Kit compacto 75 2 M + Ozono	•					
43639CP001*	Kit compacto Spa Wellmax	•	Wellmax	150 kg	53 kg	1.50 m ³	0.83 m ³

* Kit entregado en dos bultos por separado: filtro y bombas.

Code	Filter	Filtration pump	Blower	Electric heater	Electric heater	Voltage	Total power requirements	Kit dimensions without packaging Length x Width x Height
04015	Ø 500 mm	0.60 kW 7,000 l/h	1.40 kW	1.3 kW	6 kW	400V AC III+N	9.362 kW (18.1 A)	1,220 x 830 x 840 mm
05135	Ø 650 mm	0.82 kW 11,000 l/h	1.40 kW	1.3 kW	6 kW	400V AC III+N	9.582 kW (19.2 A)	1,190 x 1160 x 1510 mm
16412	Ø 650 mm	0.82 kW 11,000 l/h	2 x 1.81 kW	1.3 kW	6 kW	400V AC III+N	11.802 kW (23 A)	1,470 x 1230 x 1640 mm

COMPLEMENTS FOR SPAS



Covers para spas

	Code	Standard Packaging	Standard Weight Kg	Standard Volume m ³
Spa THALASSA Cover	17139	1	17	0.40
Spa BALTIC Cover	15619	1	16	0.36
<i>new</i> Spa RONDA Cover	45720	1	15	0.27
Spa INCA Cover	23193	1	17	0.40
<i>new</i> Spa ODISEA 20 Cover	23197	1	20	0.25
Spa CASIOPEA Cover	23195	1	15	0.25
Spa FORMENTERA Cover	28297	1	17	0.58
Spa VENEZIA Cover	23198	1	16	0.32
Spa COLISEUM Cover	28298	1	18	0.86
<i>new</i> Spa OLYMPIA Cover	43817	1	15	0.44
<i>new</i> Spa MIRAGE Cover	41892	1	15	0.44
<i>new</i> Spa WELLMAX Cover	43729	1	15	0.35
<i>new</i> Spa SWIMSPA MEDITERRANEA Cover	41846	1	15	0.44



new

Cover Stand

Metal Stand for simple handling of the cover

Code	Standard Packaging	Standard Weight Kg	Standard Volume m ³
28462	1	10	0.118



new

Spa access steps

Natural wood cedar steps
Synthetic wood staircase in coastal grey

Code	Standard Packaging	Standard Weight Kg	Standard Volume m ³
42002 CL 00	1	15	0.09
42002 CL 01	1	15	0.09



COMPLEMENTS FOR SPAS
Aromatherapy spare parts

Aroma refills for Spas with Aromatherapy Kit.

	Code	Standard Packaging	Standard Weight Kg	Standard Volume m ³
Kiwi	32467	4	0.5	0.028
Floral	32468	4	0.5	0.028
Ocean Brise	32469	4	0.5	0.028
Red Apple	32470	4	0.5	0.028


Manual spa floor cleaner

Manual floor cleaner.

Code	Standard Packaging	Standard Weight Kg	Standard Volume m ³
27903	1	2	0.017


Polyester balance tank

Used for collecting water volume displaced in overflow channel of commercial spas.

	Code	Standard Packaging	Standard Weight Kg	Standard Volume m ³
1000 litres capacity (162x122x83 cm)	11372	1	10.0	1.75
2000 litres capacity (204x160x75 cm)	27865	1	15.0	3.81


PE balance tank

1000 litres capacity. Used for collecting water volume displaced in overflow channel of commercial spas.

	Code	Standard Packaging	Standard Weight Kg	Standard Volume m ³
158x92x95 cm	17144	1	10.0	1.75



Posibilidades de vasos de compensación según el modelo de spa:

Code	Balance tank	Spa model
11372	1.000 litres capacity, polyester	Casiopea, Formentera, Venecia, Coliseum, Odisea 20, Mirage 40
17144	1.000 litres capacity, PE	
27865	2.000 litres capacity, polyester	Olympia, Wellmax, Casiopea, Formentera, Venecia, Coliseum, Odisea 20, Mirage 40

ACCESSORIES

2 1/2" adjustable jet

Regulates proportion of air/water outlet. 50 mm diameter water inlet and 32 mm diameter air inlet. Flow: 2.2 m³/hour. Pressure of 0.8 atm.



Code	Standard Packaging	Standard Weight Kg	Standard Volume m ³
32641	12	7.625	0.028

2" threaded jet

50 mm diameter water inlet and 32 mm diameter air inlet. Flow 2.2 m³/hour. Pressure of 0.8 atm.



Code	Standard Packaging	Standard Weight Kg	Standard Volume m ³
33586	12	7.625	0.028

Mini Jet spa for acrylic assembly

Designed to be mounted in acrylic spas to attach to pipes with a 20 and 10 mm inside diameter. The body is included.



Code	Standard Packaging	Standard Weight Kg	Standard Volume m ³
40804	25	3.30	0.028

2" drain for spas

With elbow for glueing to Ø 50 mm pipe.



Code	Standard Packaging	Standard Weight Kg	Standard Volume m ³
04042	15	4.8	0.028

Adjustable air inlet

1" for air regulation. Controls air to Venturi system.



Code	Standard Packaging	Standard Weight Kg	Standard Volume m ³
04045	25	6.0	0.028

Adjustable silent air inlet

Silent venturi for jet air flow control. Air intake is through embedded part. Attaches to air distributor code 33937.



Code	Standard Packaging	Standard Weight Kg	Standard Volume m ³
33938	25	8.5	0.028

ACCESSORIES
5 outlet air distributor for venturi

5 outlet manifold for gluing to venturi with code 33938. Outlets for clamping a flexible hosepipe of 10 mm inner diameter.

Code	Standard Packaging	Standard Weight Kg	Standard Volume m ³
33937	25	8.5	0.028


5 outlet air distributor for venturi

6 outlet air distributor to attach to pipes with a 10 mm inside diameter and glue to 15 mm pipes. 6 water outlet manifold.

Code	Standard Packaging	Standard Weight Kg	Standard Volume m ³
33936	25	8.5	0.028


10 outlet air distributor

10 outlet air distributor to attach to pipes with a 10 mm inside diameter and glue to 50 mm pipes. 10 water outlet manifold.

Code	Standard Packaging	Standard Weight Kg	Standard Volume m ³
35346	25	8.5	0.028


4 water outlet manifold

Manifold for gluing to 50 mm pipe, 4 outlets for clamping a hosepipe of 20 mm inner diameter.

Code	Standard Packaging	Standard Weight Kg	Standard Volume m ³
33934	25	8.5	0.028


8 water outlet manifold

Manifold for gluing to 50 mm pipe, 8 outlets for clamping a hosepipe 20 mm inner diameter.

Code	Standard Packaging	Standard Weight Kg	Standard Volume m ³
33935	25	8.5	0.028



ACCESSORIES

Threaded blower nozzle



For air distribution into the SPA from of the blowers.

	Code	Standard Packaging	Standard Weight Kg	Standard Volume m ³
White plastic front panel	27602	80	1.6	0.03
Stainless steel front panel	43440	80	1.6	0.03

Blower nozzle for glueing



For air distribution into the SPA by means of the blowers.

	Code	Standard Packaging	Standard Weight Kg	Standard Volume m ³
White plastic front panel	28460	80	1.6	0.03
Stainless steel front panel	43441	80	1.6	0.03

Blower nozzle Lateral outlet 3/8"



For distribution into the SPA by means of the blowers.

	Code	Standard Packaging	Standard Weight Kg	Standard Volume m ³
White plastic front panel	34318	80	1.6	0.03
Stainless steel front panel	43442	80	1.6	0.03

2" Skimmer



With elbow for glueing to a Ø 50 mm pipe.

Code	Standard Packaging	Standard Weight Kg	Standard Volume m ³
04039	8	3.5	0.028

2" return unit



For return line and massage.

Code	Standard Packaging	Standard Weight Kg	Standard Volume m ³
04034	25	5.0	0.028

Pneumatic pressbutton



To operate air blowers, jets and massage jets.

Code	Standard Packaging	Standard Weight Kg	Standard Volume m ³
04047	20	0.5	0.028
04048	40	1.6	0.028
09667	20	0.5	0.028

ACCESSORIES
Plastic tube

For pneumatic signal from pressbutton to switch. Inner \varnothing 3.5 mm.

Code	Standard Packaging	Standard Weight Kg	Standard Volume m ³
04054	50	3.33	0.006

Plastic hose

Flexible PVC pressure hose. For solvent connection to \varnothing 32 mm and \varnothing 50 mm.

Code	Standard Packaging	Standard Weight Kg	Standard Volume m ³
Hose \varnothing 32 mm 04055	50	2.5	0.100
Hose \varnothing 50 mm 04056	50	2.5	0.257


Rotating jet

Code	Standard Packaging	Standard Weight Kg	Standard Volume m ³
20297	25	3.33	0.028


Twin rotating jet

Code	Standard Packaging	Standard Weight Kg	Standard Volume m ³
20296	25	3.83	0.028


Rotating jet housing

Code	Standard Packaging	Standard Weight Kg	Standard Volume m ³
20299	15	3.33	0.028


Movable tube jet nozzle, in substitution of a fixed one

Compatible with code 20295 and 20299

Code	Standard Packaging	Standard Weight Kg	Standard Volume m ³
20298	1	0.8	0.001



ACCESSORIES

2 1/2" wall conduit for rotating jet



Made up of: The jet body, 20 cm wall conduit, niche, threaded fitting, front body. Jet not included.

Code	Standard Packaging	Standard Weight Kg	Standard Volume m ³
20295	4	4	0.018

ACCESSORIES FOR MINISPAS

Chrome accessories suitable only for baths that use no chemical treatment

1 1/2" Drain



With elbow to connect to 50mm pipe

Code	Standard Packaging	Standard Weight Kg	Standard Volume m ³
04104	3	7.5	0.028

Chrome-plated bronze front panel

Air controller



3/4", controls air massage to Venturi system for jet function

Code	Standard Packaging	Standard Weight Kg	Standard Volume m ³
04108	10	9.0	0.028
04110	10	3.0	0.028

Chrome-plated bronze front panel
White plastic front panel

Pneumatic switch



For the starting and stopping of massage and hydromassage functions.

Code	Standard Packaging	Standard Weight Kg	Standard Volume m ³
04111	10	6.0	0.028
04113	12	6.0	0.028

Chrome-plated bronze front panel
White plastic front panel

Blower Inlet



For air distribution in the MINI-SPA by using the air blower. 1/2" thread. Lateral air outlet, adjustable and non-return system.

Code	Standard Packaging	Standard Weight Kg	Standard Volume m ³
04114	20	7.5	0.028

Chrome-plated bronze front panel

ACCESSORIES FOR MINISPAS
1 1/4" jet with adapter to water return

Jet with adaptor to return water to pipe. Also adaptor to connect to water return and air circulation pipe, solvent for inner Ø 32 mm. Directional.

	Code	Standard Packaging	Standard Weight Kg	Standard Volume m ³
Chromed-plated bronze front panel (inlet 04100)	04095	8	12.0	0.028
White plastic front panel (inlet 04103)	04097	12	12.0	0.028


Jet 1 1/4"

With adaptor to connect to return water pipe and Venturi to glue to Ø 32 mm pipe. Directional.

	Code	Standard Packaging	Standard Weight Kg	Standard Volume m ³
Chromed-plated bronze front panel (inlet 04100)	04092	8	10.0	0.028
White plastic front panel (inlet 04103)	04094	24	5.0	0.028


1 1/4" return inlet

	Code	Standard Packaging	Standard Weight Kg	Standard Volume m ³
Chromed plated	04100	4	15.0	0.028
White plastic	04103	12	3.5	0.028


ELECTRICAL COMPONENTS SPA / MINISPA
Control box Standard model

Fitted with overload protection for each function. (filtration, heating and massage). Programmable digital thermostat for heating and automatic timer. Control system for air massage and hydro-massage pumps, differential, as well as protections for all motors and working elements.

	Code	Standard Packaging	Standard Weight Kg	Standard Volume m ³
Standard + industrial blower (400V III + Neutral~)	04020	1	6.5	0.024
Standard + industrial blower + timer (400V III + Neutral~)	04022	1	6.5	0.024



ELECTRICAL COMPONENTS SPA / MINISPA

Programmable digital thermostat



To operate ON/OFF contactor.

Code	Standard Packaging	Standard Weight Kg	Standard Volume m ³
11288	20	0.5	0.003

Electric press button



230 V 50 Hz.

Code	Standard Packaging	Standard Weight Kg	Standard Volume m ³
33387	1	1.5	0.003

Chromotherapy kit



Contains: 15 W light. Colour sequence: Blue, Orange, Green, Yellow and Red. With connection cable, without transformer.

Code	Standard Packaging	Standard Weight Kg	Standard Volume m ³
33690	1	1	0.028

Electropneumatic equipment



With two switches. Up to 1.47 kW (2 HP).

Code	Standard Packaging	Standard Weight Kg	Standard Volume m ³
04053	2	4.0	0.028

Pneumatic switch



For the starting and stopping of air massage and hydromassage functions.

Code	Standard Packaging	Standard Weight Kg	Standard Volume m ³
04050	25	1.0	0.028
11290	6	0.5	0.028
11291	12	1.0	0.028

Pneumatic switch
Double pneumatic switch
Pneumatic presostat

AIR BLOWERS

Continuous operation lateral turbo blower pump

Air blowers designed to churn the filtration bed during the backwashing process or to supply low air flow whenever required. The blower housing and the impeller are made of Aluminium alloy, whereas the shaft is made of S.S. on which the impeller is mounted and dynamically balanced.

The 100-120/200-240 V single phase and the 200-240/280-440 V three phase motors at 50/60 Hz for non-stop operation, are manufactured according to the IEC Standards and come with an IP 54 protection and an F Class insulation. The pumps can be installed both horizontally as well as vertically, and as there is no contact between the static and movable blower parts, it does not require any lubrication nor maintenance, neither is there any wear and tear.

		Code	Standard Packaging	Standard Weight Kg	Standard Volume m ³
Power	Curve				
0.4 KW Triph. pump	120	33970	1	12	0.032
0.75 KW Monoph. pump	130	35388	1	-	-
0.75 KW Triph. pump	130	35387	1	-	-
1.1 KW Monoph. pump	140	31090	1	29	0.061
1.1 KW Triph. pump	140	31091	1	26	0.064
1.5 KW Monoph. pump	141	33971	1	30	0.071
1.75 KW Triph. pump	141	31092	1	27	0.071
1.75 KW Triph. 2V pump	221	35389	1	-	-
2.2 KW Triph. pump	150	31093	1	37	0.078
3 KW Triph. 2V pump	230	31094	1	47	0.096
3 KW Triph. pump	151	31095	1	39	0.106
4 KW Triph. 2V pump	240	31096	1	59	0.217
5.5 KW Triph. pump	160	31097	1	82	0.269
5.5 KW Triph. 2V pump	241	33972	1	78	0.217
7.5 KW Triph. 2V pump	170	31098	1	86	0.269
11 KW Triph. 2V pump	251	33973	1	150	0.388
13 KW Triph. pump		33974	1	150	0.512



Code	max. pressure (mbar)	max. Flow m ³ /h
33970	130	84
35387	190	144
35388	190	144
31090	180	216
31091	180	216
33971	200	216
31092	250	216
35389	156	320
31093	220	312
31094	410	410
31095	280	312
31096	380	312
31097	280	552
33972	530	312
31098	360	552
33973	600	552
33974	295	1134

Intermittent operation air blower, 900 W

	Code	Standard Packaging	Standard Weight Kg	Standard Volume m ³
0.90 kW Flow 54 m ³ /h at 1.5 m water head	19289	1	3.5	0.028



Massage pump

Body in ABS and 75% fibreglass. 0.37 kW (0.5 HP) motor. Electric protection IP-55 220 V 1~50Hz. 2" male suction connection. 1 1/2" male return connection.

TECHNICAL FEATURES		Code	Standard Packaging	Standard Weight Kg	Standard Volume m ³
m.h.w.	m ³ /h				
2	16.5	04091	1	6.0	0.016
4	14.8				
6	12.6				
8	10				
10	7				



Intermittent operation air blower

	Code	Standard Packaging	Standard Weight Kg	Standard Volume m ³
0.74 kW Flow 65 m ³ /h at 1 m water head	04089	1	3.5	0.028
1.10 kW Flow 133 m ³ /h at 1 m water head	04028	1	3.5	0.028



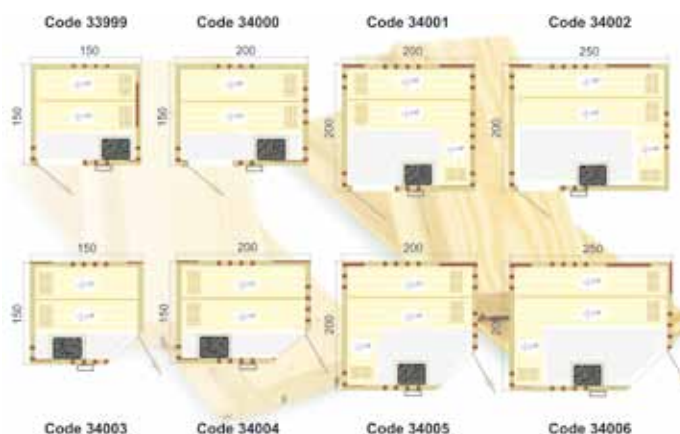
SAUNA

Saunas



Sauna cabin assembled from prefabricated modular panel elements made of Finnish spruce. Door with bronze coloured window set with handle and lock. Benches and head rest made of Abachi. Sauna light with shade of Abachi. Ventilation and air renovation holes. Heater protection fence. Exterior digital control installed, controlling light, temperature, time of operation and delayed start time. Protection IP-34.

Code	Type	Width	Length	Height	Heater kW	N° Benches	N° people	
		Inside dimensions in mm					Seating	Laying
33999	1.5 x 1.5 x 2.1	136	136	203	4.5	2	3	2
34000	2 x 1.5 x 2.1	186	136	203	6	2	4	2
34001	2 x 2 x 2.1	186	186	203	6	3	5	3
34002	2.5 x 2 x 2.1	236	186	203	8	3	6	3
34003	1.5 x 1.5 x 2.1 corner	136	136	203	4.5	2	3	2
34004	2 x 1.5 x 2.1 corner	186	136	203	6	2	4	2
34005	2 x 2 x 2.1 corner	186	186	203	6	3	5	3
34006	2.5 x 2 x 2.1 corner	236	186	203	8	3	6	3



Infrared saunas

Prefabricated modular cabin in Hemlock Fir of Birch colour. Door with tempered glass window, set with handles and lock. Benches and head rest of fir, Birch colour. High quality ceramic heaters. Light inside and also outside for corner saunas. Radio CD player with 2 speakers. **With chromotherapy**. Back rest made of wood. Two control panels, one inside the cabin and another one outside:

- Temperature control
- Operation time control
- Light control

	Code	Standard Packaging	Standard Weight Kg	Standard Volume m ³
120 x 105 x 190 h	37237CR	1	-	-
155 x 110 x 190 h	37238CR	1	-	-
155 x 60 x 120 x 190 h corner	37239CR	1	-	-
175 x 120 x 190 h	37240CR	1	-	-
210 x 115 x 190 h	37241CR	1	-	-

Code	Type	Width	Length	Height	Heater kW	N° Benches	N° people	
		Inside dimensions in mm					Seating	Laying
37237CR	120 X 105 x 190 h	1130	910	1740	1.80	1	2	0
37238CR	155 x 110 x 190 h	1482	978	1740	2.00	1	3	0
37239CR	155 x 60 x 120 x 190 h corner	1400	1155	1715	2.00	2	4	0
37240CR	175 x 120 x 190 h	1615	1120	1715	2.20	2	4	0
37241CR	210 x 115 x 190 h	2020	1010	1740	2.40	1	5	1

SAUNA ACCESSORIES
Sauna accessories

Code	Type accessory
34007	Timber door with bronze coloured glass window
34008	Full bronze coloured glass door
34009	Sauna box: thermohygrometer, wooden bucket with ladle, sand timer, sauna's fragrance one bottle 50 ml
34010	Timber ventilation grille
34011	Timber head rest wood
34065	Fragrance bottles 50 ml: pine, eucalyptus, birch, lemon, spruce, peppermint
34066	Fragrance bottles 250 ml: pine, eucalyptus, birch, peppermint


Sauna heater

	Code	Standard Packaging	Standard Weight Kg	Standard Volume m ³
Power 4.5 kW - Sauna volume 3-6 m ³	34012	1	-	-
Power 6 kW - Sauna volume 5-9 m ³	34013	1	-	-
Power 8 kW - Sauna volume 7-12 m ³	34014	1	-	-
Power 9 kW - Sauna volume 8-13 m ³	34015	1	-	-


Digital control

Light control, temperature control, operation time control, delayed start time and protection IP-34.

Code	Standard Packaging	Standard Weight Kg	Standard Volume m ³
34016	1	-	-

